



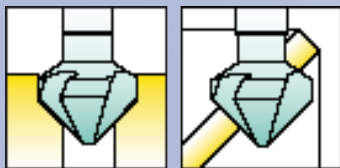
PREMIUM COBALT COUNTERSINK SALE



BUY THESE NEW FROM RME AND SEND BACK TO RME FOR REGRIND

SERIES 432 60°			PART #	RME NEW PRICE	RME REGRIND PRICE
T - 10.4	3 Flute	Countersink	540301	\$32.30	\$12.38
T - 16.5	3 Flute	Countersink	540302	\$47.15	\$16.20
T - 20.5	3 Flute	Countersink	540303	\$52.90	\$16.20
T - 25	3 Flute	Countersink	540304	\$64.51	\$23.84
T - 31	3 Flute	Countersink	540305	\$95.99	\$23.84

SERIES 434 82°			PART #	RME NEW PRICE	RME REGRIND PRICE
T - 10.4	3 Flute	Countersink	540311	\$32.30	\$12.38
T - 16.5	3 Flute	Countersink	540312	\$47.15	\$16.20
T - 20.5	3 Flute	Countersink	540313	\$52.90	\$16.20
T - 25	3 Flute	Countersink	540314	\$64.51	\$23.84
T - 31	3 Flute	Countersink	540315	\$95.99	\$23.84

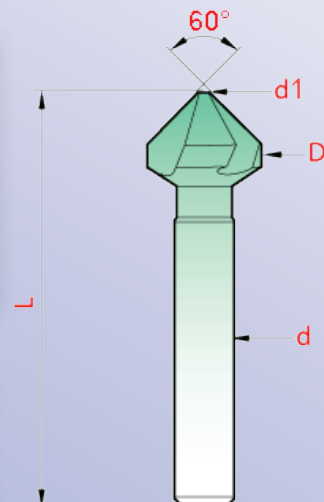


HSS-E Cobalt = hardness 65 HRC,
to machine steels up to 1000 N/mm²,
cast iron up to 180 HB,
copper, brass, bronze, aluminium.

100° AND 120° ALSO ON
SPECIAL
CONTACT RME FOR PRICING

SERIES 431 90°			PART #	RME NEW PRICE	RME REGRIND PRICE
T - 10.4	3 Flute	Countersink	540321	\$32.30	\$12.38
T - 16.5	3 Flute	Countersink	540322	\$47.15	\$16.20
T - 20.5	3 Flute	Countersink	540323	\$52.90	\$16.20
T - 25	3 Flute	Countersink	540324	\$64.51	\$23.84
T - 31	3 Flute	Countersink	540325	\$95.99	\$23.84

SERIES 437 90°			PART #	RME NEW PRICE	RME REGRIND PRICE
T - 40	3 Flute	Countersink	540326	\$240.68	\$40.89
T - 50	3 Flute	Countersink	540327	\$330.40	\$40.89
T - 63	3 Flute	Countersink	540328	\$457.10	\$44.98
T - 80	3 Flute	Countersink	540329	\$857.17	\$44.98



CONTACT US TODAY TO ORDER!

Leading **Canada's** carbide cutting tool manufacturing industry through our quality & un-paralleled Customer Service.